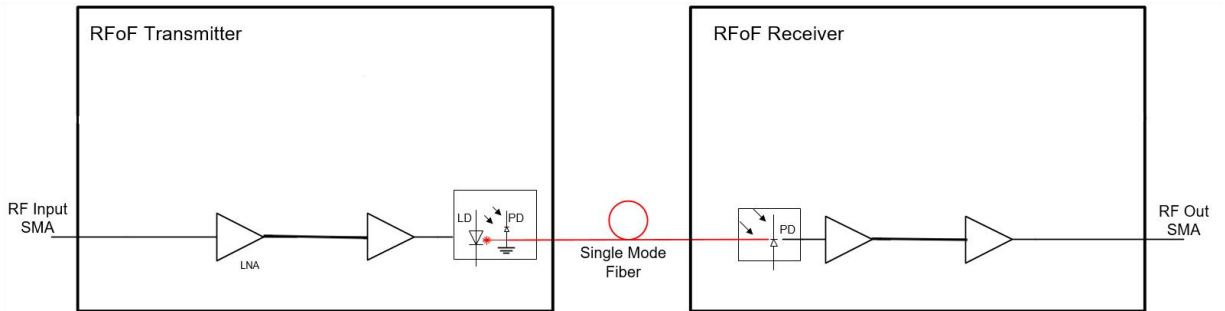


FEATURES

- Supports up to 6.0GHz
- Better linearity, excellent gain flatness
- Plug and Play: No external control required
- Analog RF signal conversion to optical and back
- Impedance of 50 Ohm
- RoHS compliant



Functional Block Diagram



APPLICATIONS

- Remote Antennas Communication
- Satcom
- 4G LTE
- Broadcast
- Distributed Antenna
- Radio telescopes

DESCRIPTION

SANLAND's innovative RFoF product line consists of palm-size analog RFoF modules that are used to convert RF signals to optical signals to carry over long distances. The Tx unit using an optical transmitter, converts RF to the optical signal and the Rx unit converts back to the RF signal. The two units are connected through the customer's single-mode fiber.

LIMITING VALUES

In accordance with the Absolute Maximum Rating System

SYMBOL	PARAMETER	MIN.	MAX.	UNITS
T _s	Storage temperature	-40	+85	°C
T _o	Operating temperature	-20	+75	°C
R _{hS}	Relative Humidity-storage	5	95	%

CHARACTERISTICS

(Bandwidth 5 to 6000MHz; $T_{mb} = 25^{\circ}\text{C}$, $V_B = 5\text{V}$, $Z_S = Z_L = 50\Omega$)

Electrical	UNIT	Specification
Frequency Range	MHz	5-6000
Gain (nominal value)	dB	20
Gain Flatness	dB	± 2.5
Input P1 dB	dBm	-18
Noise Figure	dB	16
SFDR	dB/Hz ^{2/3}	104
Gain Flatness any 36 MHz	dB	± 0.25
Maximum Input No damage	dBm	20
VSWR Input / Output	dBm	2.6:1
Input / Output impedance	Ohm	50
Current consumption of Tx unit (at 12VDC)	mA	100
Current consumption of Rx unit (at 12VDC)	mA	100
Power LED status indicators (Tx/Rx)	-	G
Optical Power in the fiber	mW	3 ± 0.5
Dimensions (L*W*H)	MM	70x 83.5 x 23
Transmitter wavelength typical	nm	1310 or 1550 are available options
Product family FO connector	-	FC/APC